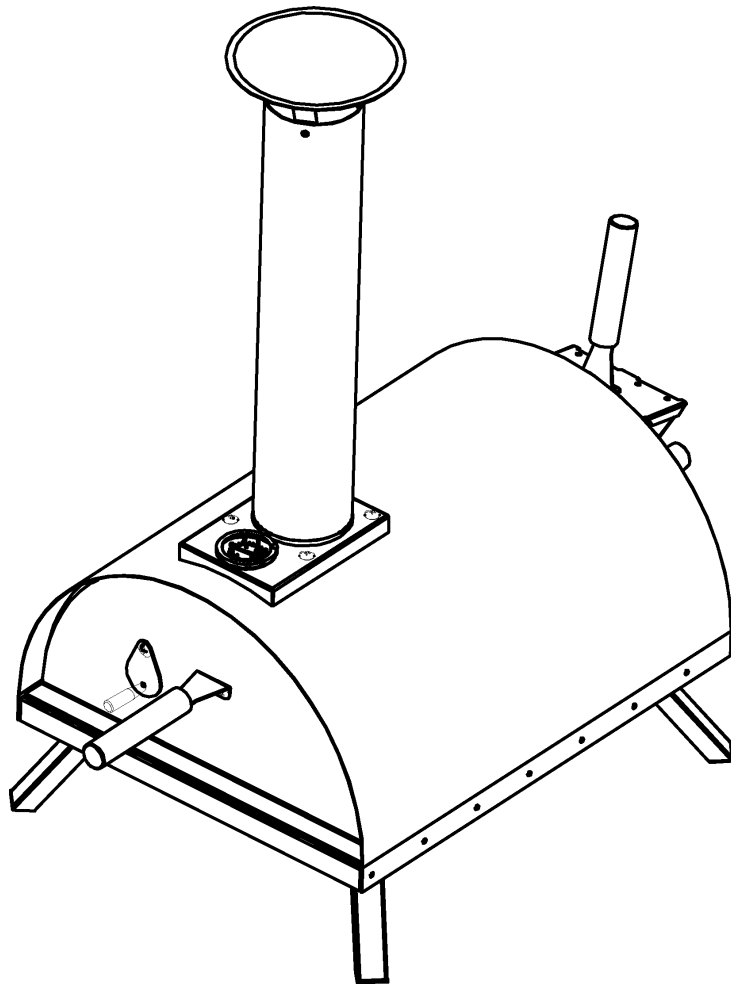
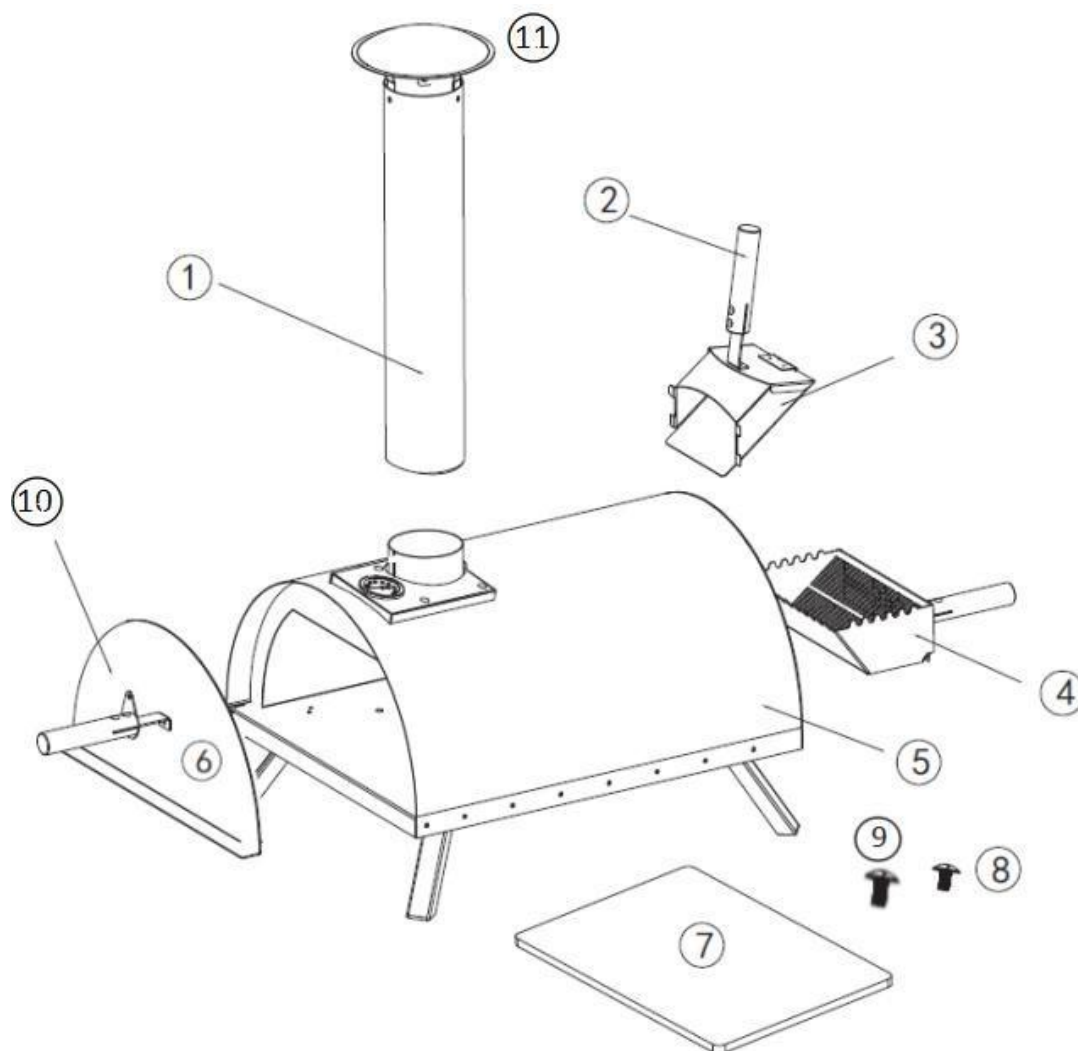


# VENTURA Ibrido

## ASSEMBLY MANUAL



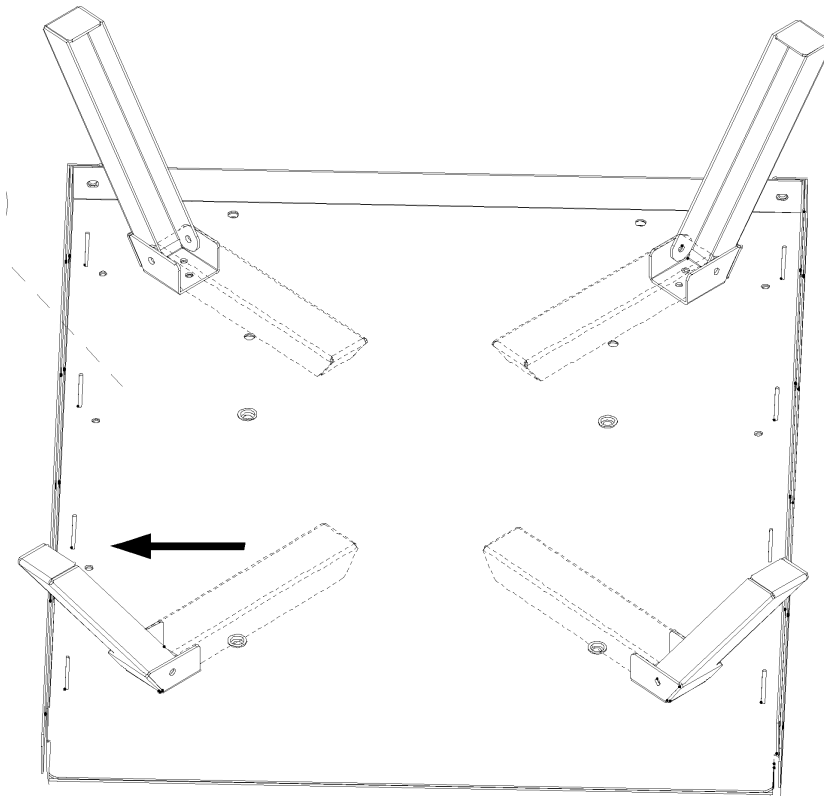
# TABLE OF CONTENTS:



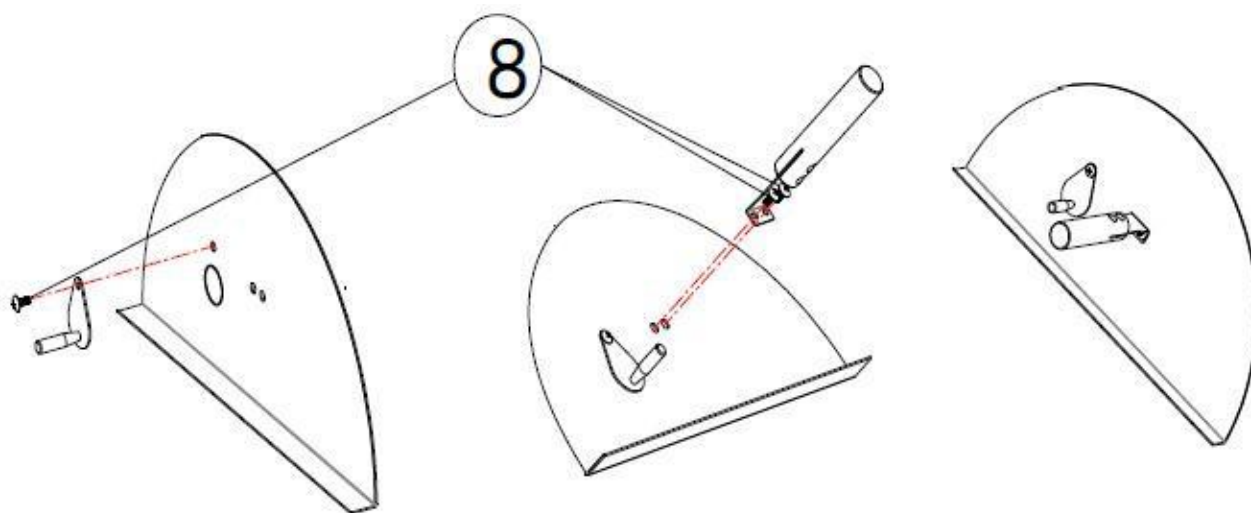
REF	PART	QTY
1	Chimney	1
2	Handle	3
3	Hopper	1
4	Wood Box	1
5	Oven Body with folding legs	1
6	Door	1

REF	PART	QTY
7	Stone Tile	1
8	M5 Bolt	13
9	M6 Bolts	4
10	Window Cover	1
11	Chimney Cap	1

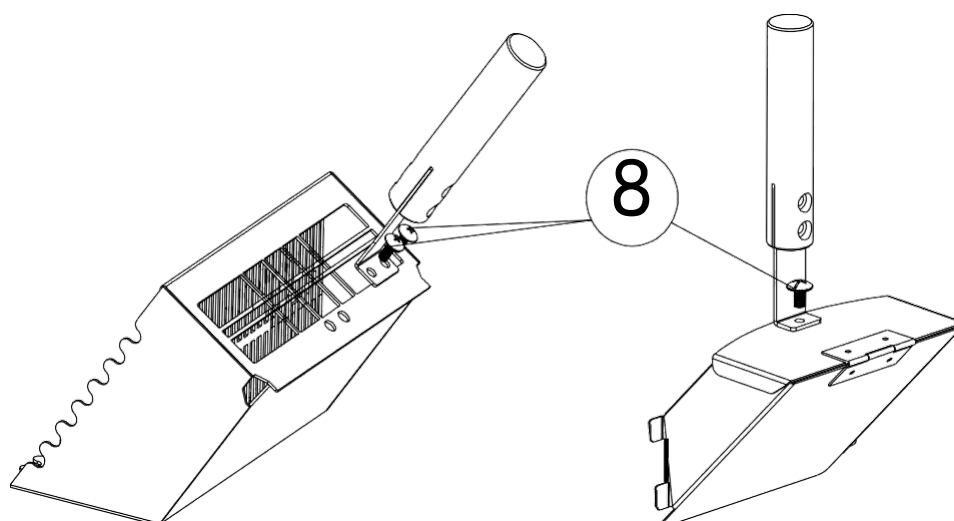
**Step 1:** Unfold the four pre-assembled legs on the underside of the stove in the direction of the arrow.



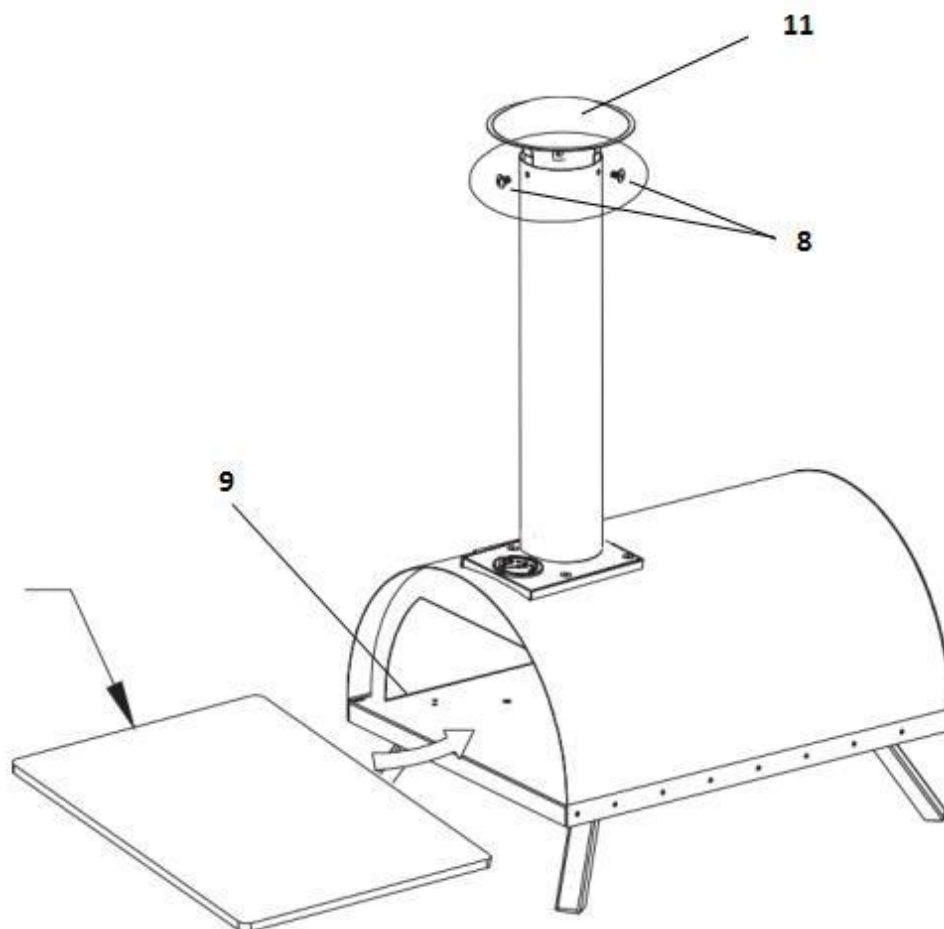
**Step 2:** Attach the window cover and wooden handle to door as shown.



**Step 3:** Attach the wooden handles onto the hopper and wood box as shown.



**Step 4:** Attach the chimney cap onto the top of the chimney pipe. Once attached, slide the chimney onto the oven.



**Step 5:** Insert screws into the 4 holes inside the oven base. Tighten the screws to sit approx. 1cm high.

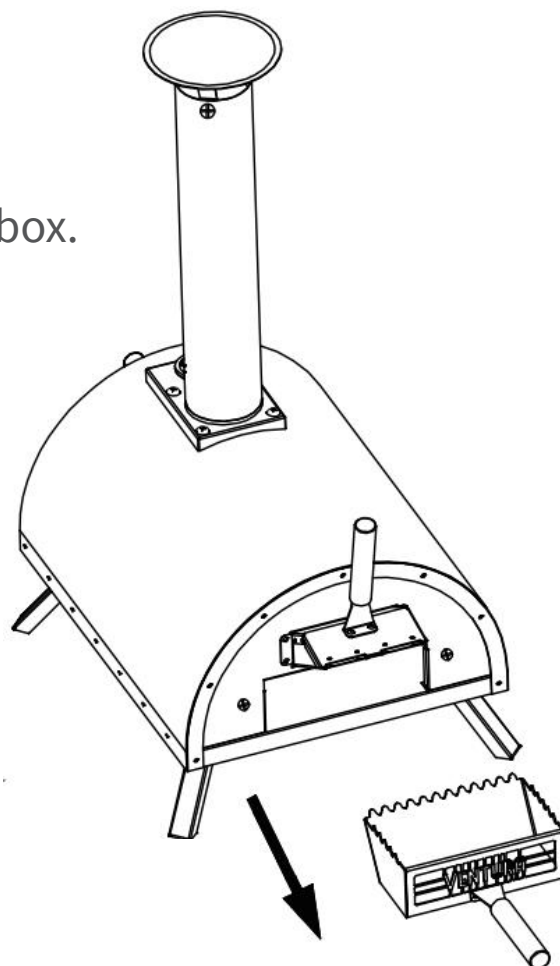
**Step 6:** Place the stone tile on top of the screws as shown in the image above. Raising the tile will help increase temperatures of your cooking floor.

Your VENTURA oven is now ready to use!

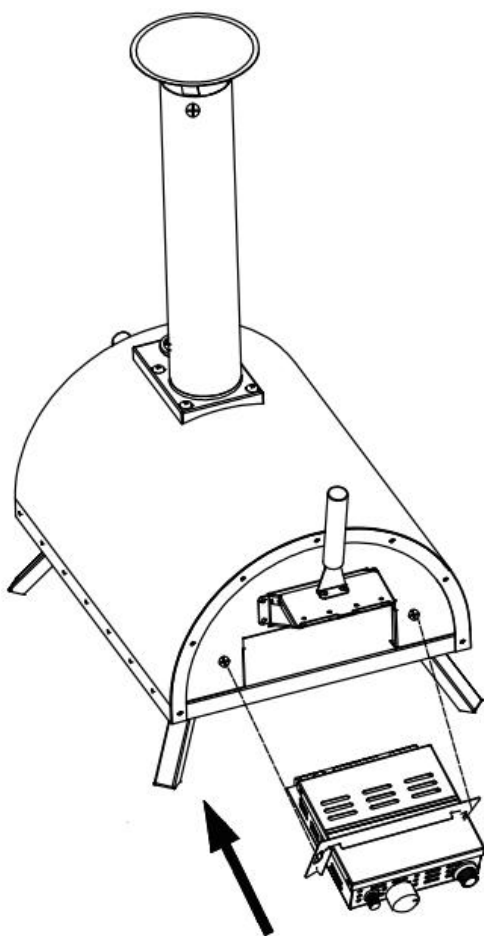
*Please refer to our manual for safety and instructions for use.*

## USE THE GAS BURNER:

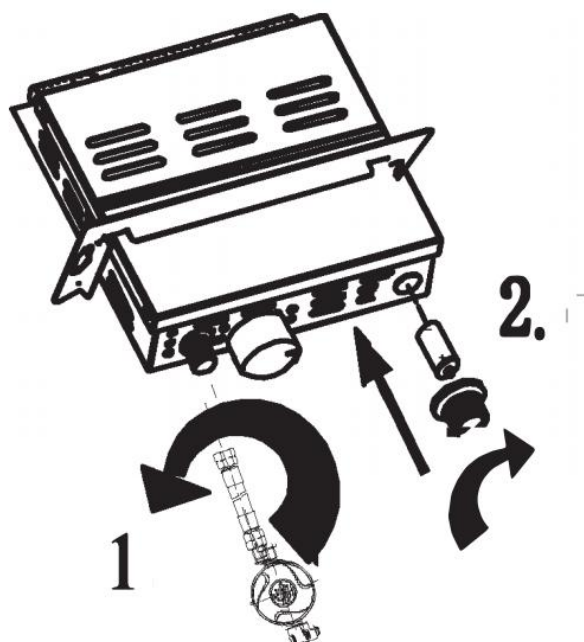
**Step 1:** Take out wood box.



**Step 2:** Insert gas burner.



# USE THE GAS BURNER:



**Step 1:** Connect the hose of regulator to the gas burner by hand.

**Step 2:** Open the battery cap and put in the battery.

**3.** **Step 3:** Screw the battery cap on clockwise.

